



Medium & Heavy Duty Starter Quick Reference Guide

Applications: Beverage Fleets, Chevy Kodiak, Construction & Crane Equipment, Ford & Freightliner FL Series Trucks, Generator Sets/Compressor Units, GMC Top Kick, Package Delivery Fleets, Recreation Vehicles School Bus Fleets, Terminal Tractors (Trailer/Yard Jockey Equipment)

Engine OE	Model	New Part No.	Reman Part No.	Application	Size	Additional Information
CATERPILLAR	6.6/7.2L Engine A/T 3126	228000-7121	280-8004	SAE #3	12V 4.0kW	Wet Clutch, Ground Stud
CATERPILLAR	6.6/7.2L Engines Pass. Side 3126	228000-9750	280-8012	Kodiak, Topkick	12V 4.0kW	Dry Clutch, Ground Stud, Jump Start Protection
CATERPILLAR	6.6/7.2L Engines M/T 3116 & 3126	428000-1610		SAE #2	12V 4.0kW	Dry Clutch, Ground Stud

Applications: Beverage Fleets, Construction Equipment (bulldozers, Excavators, Motorgraders, Wheel Loaders), Dodge Trucks, Ford Trucks (F550, F650, F750), Freightliner FL Series Medium Duty Trucks, Generator Sets/Compressor Units, Package Delivery Fleets, Pick-up & Delivery Fleets, Recreation Vehicles, School Bus Fleets, Terminal Tractor

Engine OE	Model	New Part No.	Reman Part No.	Application	Size	Additional Information
CUMMINS	Cummins ISB 5.9L	228000-2292	9722809-229	Dodge Pick Up, 1994 - 2002	12V 2.7kW	Dry Clutch, Driver Side
CUMMINS	Cummins ISB 5.9L	228000-3811			12V 2.7kW	Wet Clutch, Driver Side
CUMMINS	Cummins ISC 8.3L	228000-5311	280-8002		12V 4.0kW	Dry Clutch, Ground Stud, Driver Side
CUMMINS	Cummins ISC 8.3L	228000-6511			12V 4.0kW	Wet Clutch, Ground Stud
CUMMINS	Cummins ISB 5.9L	228000-7280		Thomas Built Bus	12V 4.0kW	Dry Clutch, Ground Stud
CUMMINS	Cummins ISB 5.9L	228000-7291		Thomas Built Bus	12V 4.0kW	Dry Clutch, Ground Stud
CUMMINS	Cummins ISB 5.9L	428000-1600	280-8018	FL70, Package Delivery	12V 2.7kW	Dry Clutch, Ground Stud, Pass. Side
CUMMINS	Cummins ISB 5.9L	428000-5940		Dodge Pick Up, 2003 - 2006	12V 2.7kW	
CUMMINS	Cummins ISB 6.7L	428000-6110		Dodge Pick Up, 2007	12V 3.0kW	PA90S

Applications: Department of Transportation (DOT), Emergency Vehicles, Hotel Shuttle Buses, Landscape Vehicles, Mechanical Services Fleets (HVAC, Electrical, etc.), Rental Car Shuttle Buses, Road Construction Fleets, Support Trucks for Airport Services (Airlines), Support Trucks for Misc. Large Fleets (Garbage, Concrete, etc.) and Tow Vehicles

Engine OE	Model	New Part No.	Reman Part No.	Application	Size	Additional Information
FORD / NAVISTAR	6.9/7.3L A/T & M/T	228000-8410	280-8007		12V 4.0kW	Wet Clutch
FORD / NAVISTAR	7.3L A/T & M/T, Direct Injection	228000-8420	280-8008	Power Stroke	12V 4.0kW	Wet Clutch

Applications: City Delivery Fleets, Cargo Delivery, Furniture Delivery, Landscape, Rental Equipment

Engine OE	Model	New Part No.	Reman Part No.	Application	Size	Additional Information
HINO	J08C-T1 8.0L	228000-6253	9722809-625	YJ22 MT	12V 4.8kW	
HINO	J08C-T1	228000-6261	9722809-626	YJ22A	12V 4.8kW	
HINO	J05C-T1	228000-6383	9722809-638	YJ21	12V 2.5kW	
HINO	J05D	428000-2503		NA, NB, NC	12V 2.5kW	
HINO	J08, J08E	428000-2511	9742809-251	ND, NE, NF, NV	12V 4.0kW	

Applications: Armored Car, Beverage, Bottled Water Distributor, Cargo Delivery, Furniture Delivery, Ice Cream, Landscape, Newspaper Delivery, Rental Equipment, School Bus, Uniform Delivery and Waste Management Fleets

Engine OE	Model	New Part No.	Reman Part No.	Application	Size	Additional Information
INTERNATIONAL	DT466E	428000-2690			12V 4.0kW	Wet Clutch, Ground Stud
INTERNATIONAL	T444E	228000-7371	280-8020	4700	12V 4.0kW	Dry Clutch
INTERNATIONAL	DT466	228000-8510*	280-8011	4300	12V 4.0kW	Wet Clutch
INTERNATIONAL	VT365	428000-0071		1652 Strip Chassis	12V 4.0kW	Wet Clutch

Applications: City Delivery Fleets, Cargo Delivery, Furniture Delivery, Landscape, Rental Equipment

Engine OE	Model	New Part No.	Reman Part No.	Application	Size	Additional Information
ISUZU	6BD1	128000-0494	9712809-049		12V 3.0kW	
ISUZU	6SA1	128000-2451		FRR 13	24V 5.5kW	
ISUZU	6SA1	128000-2742		FTR	24V 5.5kW	
ISUZU		128000-4663		Elf NKR	12V 2.0kW	
ISUZU	6HE1-T 7.1/7.8L	228000-2807	9722809-280	EVR, FRR, FSR, FTR, GMC Trucks	12V 3.0kW	
ISUZU	4JG2	228000-5144		Elf NHR69	12V 2.0kW	
ISUZU	4HE-1 3.9/4.8L	228000-7004		Elf NPR, NQR, GMC Trucks	12V 3.0kW	
ISUZU	4HE1-T 3.9/4.8L	228000-8182	9722809-818	Elf NPR, NQR, GMC Trucks	12V 3.0kW	
ISUZU	6HK1-TC 7.8L I6	228000-9761		Topkick	12V 4.0kW	

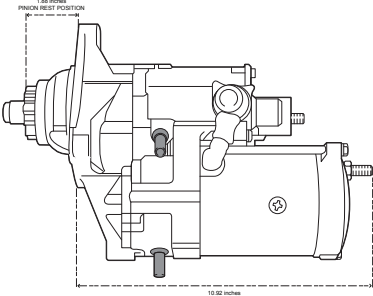
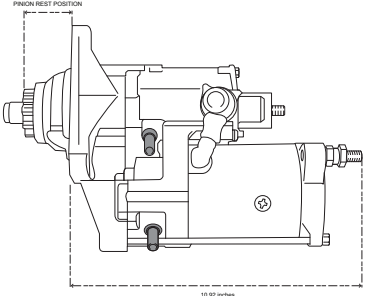
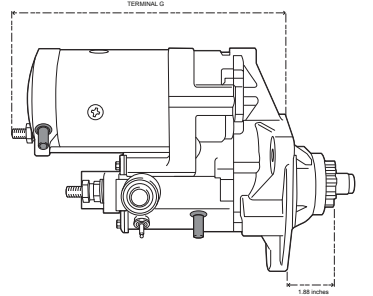
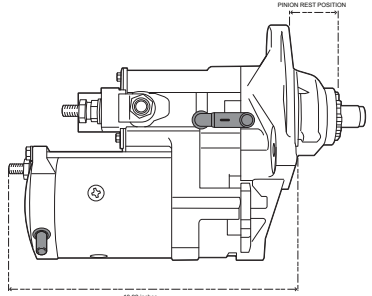
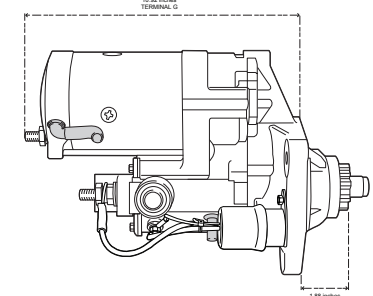
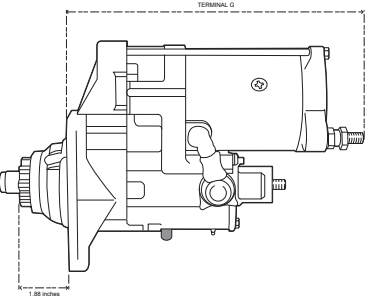
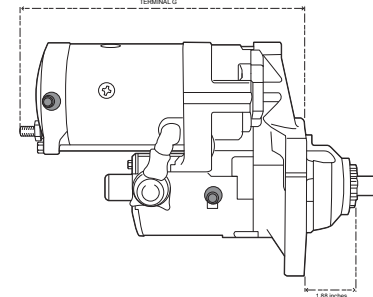
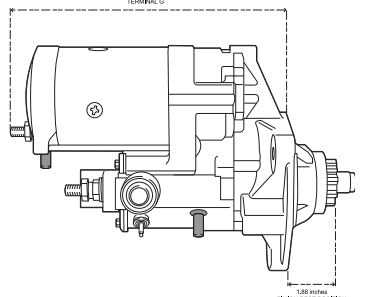
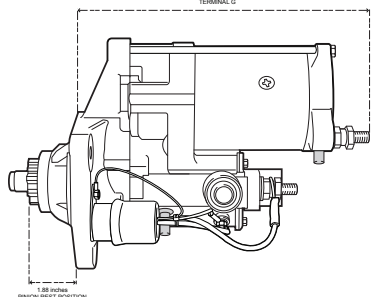
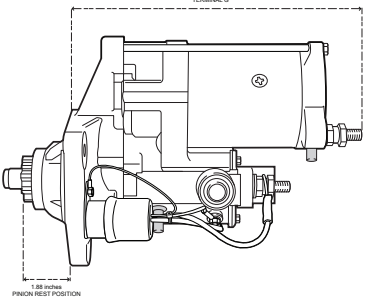
Applications: Airport Service, Beverage Fleets, Car Haulers, Dump Trucks, Food Distribution, Landscape Vehicles, Liquid Bulk, Mixers, Refuse, School Bus Fleets, Towing Utility

Engine OE	Model	New Part No.	Reman Part No.	Application	Size	Additional Information
MERCEDES	Mercedes 904	428000-0310		M2 Business Class & Package Delivery	12V 2.7kW	Dry Clutch, Ground Stud
MERCEDES	Mercedes 906 & 926	428000-1881		M2 Business Class & Sterling Acterra	12V 4.0kW	Dry Clutch, Ground Stud

*228000-8510 has 5/8" mounting holes. In certain applications you may need to use bushing inserts. See your DENSO representative for details.

WARRANTY
18 Months Unlimited

R5.0 Starters for On-Road Applications

	<p>428000-4420</p> <p>Freightliner w/CAT C12, C13 & C15 Freightliner w/Cummins ISM International w/CAT C11, C12, C13 & C15 International w/Cummins ISM Kenworth w/CAT C11, C13 & C15 Peterbilt w/CAT C12, C13 & C15 Peterbilt w/Cummins ISM Sterling w/CAT C13 & C15 Sterling w/Cummins ISM Volvo w/Cummins ISM Western Star w/Cat C12 & C15</p>	 <p>428000-4430</p> <p>Freightliner w/Cummins M11 Freightliner w/Detroit Series 60 International w/Cummins M11 International w/Detroit Series 60 Kenworth w/Cummins M11 Kenworth w/Detroit Series 60 Mack w/E-Tech Mack w/E-7 Peterbilt w/Cummins M11 Sterling w/Cummins M11 Sterling w/Detroit Series 60 Volvo w/Detroit Series 60 Western Star w/Detroit Series 60</p>
	<p>428000-4440</p> <p>Freightliner w/Cummins ISX Freightliner w/Cummins N14 International w/Cummins ISX International w/Cummins N14 Kenworth w/Cummins N14 Peterbilt w/Cummins N14 Sterling w/Cummins N14 Volvo w/Cummins N14</p>	 <p>428000-4450</p> <p>Freightliner w/Mercedes 4000 Sterling w/Mercedes 4000</p>
	<p>428000-5170</p> <p>2010- Freightliner w/Cummins ISX 2007- International w/Cummins ISX</p>	 <p>428000-5190</p> <p>Freightliner w/Cummins ISX International w/Cummins ISX Kenworth w/Cummins ISX Peterbilt w/Cummins ISX</p>
	<p>428000-5430</p> <p>Volvo VE 12</p>	 <p>428000-5730</p> <p>Freightliner w/Detroit Series 60 International w/Detroit Series 60 Kenworth w/Detroit Series 60 Peterbilt w/Detroit Series 60 Sterling w/Detroit Series 60 Volvo w/Detroit Series 60 Western Star w/Detroit Series 60</p>
	<p>428000-8370</p> <p>International w/MaxxForce 11 & 13</p>	 <p>428000-8690</p> <p>Freightliner w/DD13</p>

WARRANTY
3 Years / 350,000 Miles (On-Road Applications)

Starter must be installed with the drain tube positioned downward.
 The physical appearance of this DENSO starter may differ from the original starter.



DENSO Sales California, Inc.
 3900 Via Oro Avenue
 Long Beach, CA 90810
 800.222.6352 • 310.834.6352
www.DensoHeavyDuty.com