



SECTION 4

MISCELLANEOUS

DIVERS

Si vous détectez des  **erreurs** dans ce catalogue, s'il-vous-plaît, nous en aviser

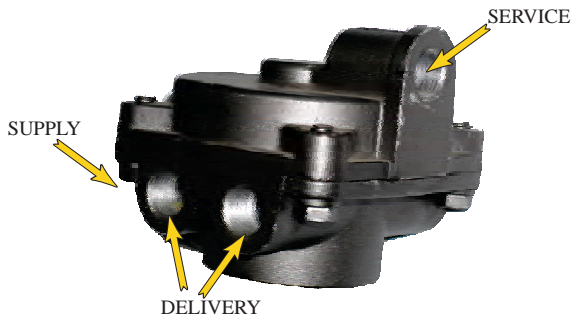
Nous désirons que les informations soient le plus précises possible.
Nous apprécions votre aide à ce sujet.

Veuillez nous contacter par courriel pour tous
commentaires / suggestions et/ou corrections à :
admin@atelierjp.ca

SECTION 4

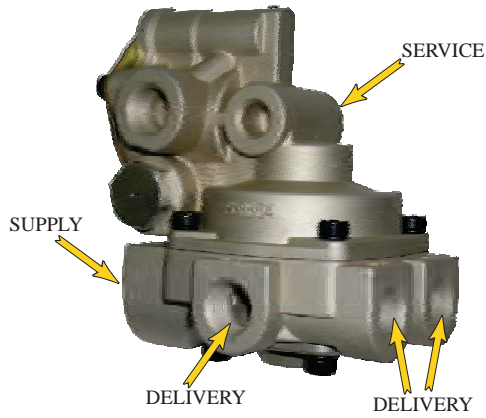
MISCELLANEOUS / DIVERS

| | |
|---|-------|
| BERG - Relay valves / Soupapes de relais..... | 4-1-1 |
| BERG - Service emergency relay valves / Soupapes de relais et relais d'urgence..... | 4-1-2 |
| BERG - Task valves / Soupapes (Task)..... | 4-1-3 |
| WAGNER - Relay valves / Soupapes de relais..... | 4-2-1 |
| WAGNER - Tandem valves / Soupapes tandem..... | 4-2-2 |
| WAGNER - Trailer spring brake valves / Soupapes de frein ressort (remorque)..... | 4-2-3 |
| TRAMEC - Trailer spring brake valves / Soupapes de frein resort (remorque)..... | 4-3-1 |



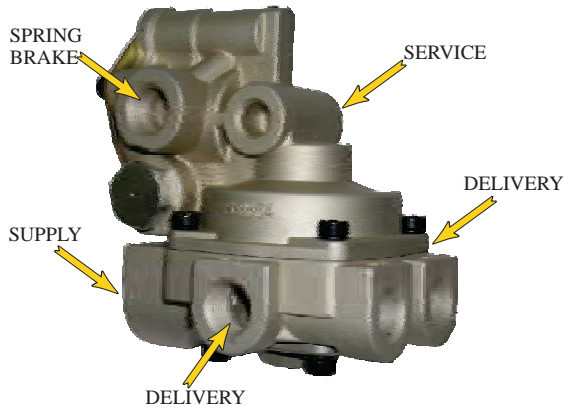
- Hi-Flow Relay Valve.

| SERVICE# | SUPPLY | SERVICE | DELIVERY | NOTES |
|----------|---------|---------|-----------|-------|
| B12343 | 3/4" PT | 3/8" PT | 4-3/8" PT | |
| B12347 | 3/4" PT | 3/8" PT | 2-3/8" PT | |



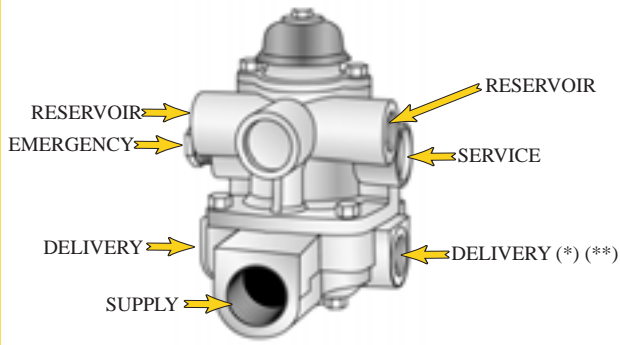
- Relay Valve.
- Four delivery ports.
- For Trailer Without Spring Brake.

| SERVICE# | SUPPLY | DELIVERY | SERVICE | EMERGENCY | NOTES |
|----------|---------|-----------|---------|-----------|-------|
| B12350 | 3/4" PT | 4-3/8" PT | 1/4" PT | 1/4" PT | |



- Service Emergency Relay Valve.
- Service Emergency Relay Valve.
- Two delivery ports.

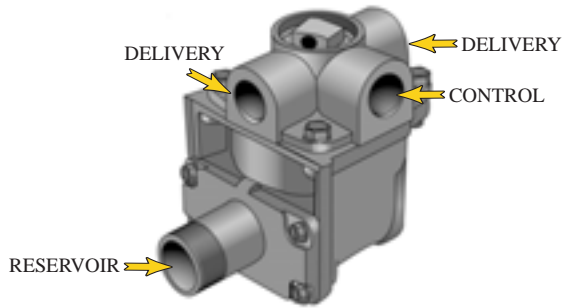
| SERVICE# | SUPPLY | DELIVERY | SPRING BRAKE | SERVICE | EMERG. | NOTES |
|----------|-----------|-----------|--------------|---------|---------|-------|
| B12352 | 1-3/4" PT | 2-3/8" PT | 3/8" PT | 1/4" PT | 1/4" PT | |



- **TASK Valve.**
- Meets FMVSS-121 requirements.
- Used on trailers to control both parking and emergency brake functions.
- Controls reservoir charging.
- Applies emergency (parking) brakes upon loss of trailer supply (emergency) line pressure.
- Weight 3 lbs.

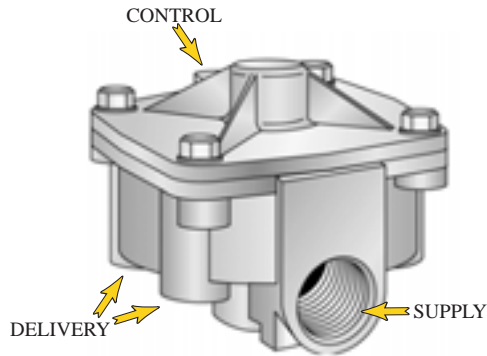
| SERVICE# | SUPPLY | DELIVERY | RESERVOIR | SERVICE | EMERG. | NOTES |
|----------|---------|-----------|-----------|-----------|---------|---------------------|
| B12360* | 3/4" PT | 4-3/8" PT | 2-3/8" PT | 2-1/4" PT | 1/4" PT | w/Anti-Compounding |
| B12361** | 3/4" PT | 4-3/8" PT | 2-3/8" PT | 2-1/4" PT | 1/4" PT | wo/Anti-Compounding |

*With port & nut. / **Without port.



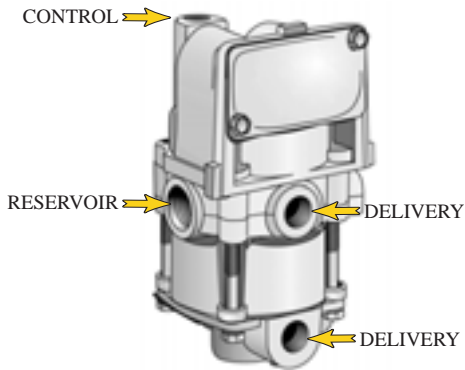
- **RS Relay Valve.**
- Used to apply and release service brakes on trailers.
- Two port delivery.
- Weight 3 lbs.

| SERVICE# | RESERVOIR | DELIVERY | CONTROL | NOTES |
|----------|-----------|-----------|---------|-------|
| WA80070 | 1/2" PT | 2-3/8" PT | 1/4" PT | - |



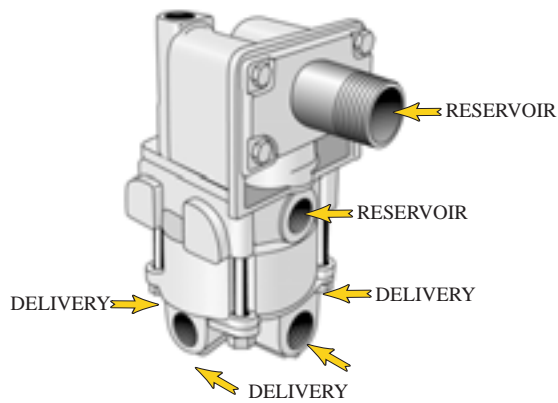
- **RF Relay Valve.**
- Used to apply and release service brakes on tractor or trailer.
- Four port delivery facing down.
- Weight 3 lbs.
- Low differential-high capacity.

| SERVICE# | SUPPLY | DELIVERY | CONTROL | CRACK PRESSURE | NOTES |
|----------|---------|-----------|---------|----------------|-------|
| WA86472 | 3/4" PT | 4-1/2" PT | 1/4" PT | 3.0 PSI | |
| WA86473 | 1/2" PT | 4-1/2" PT | 1/4" PT | 4.5 ± 1 PSI | |
| WA86477 | 3/4" PT | 4-1/2" PT | 1/4" PT | 4.5 ± 1 PSI | |
| WA103600 | 3/4" PT | 4-3/8" PT | 1/4" PT | 3.0 ± 1 PSI | |



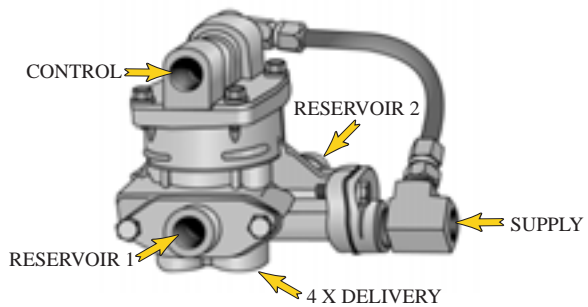
- **RG-4 Tandem Valve.**
- Used to apply and release service brakes on trailers.
- Four port delivery.
- Weight 4 lbs.

| SERVICE# | RESERVOIR 1 & 2 | DELIVERY 1 & 2 | CONTROL | NOTES |
|----------|-----------------|----------------|---------|-------------|
| WA85490 | 2-1/2" PT | 4-3/8" PT | 1/4" PT | Tank Mount |
| WA85493 | 2-1/2" PT | 4-3/8" PT | 1/4" PT | Frame Mount |



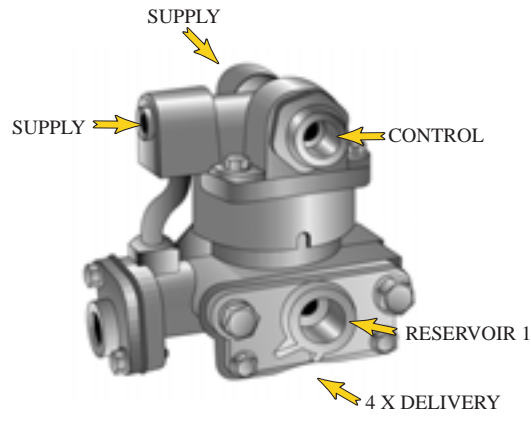
- **RS-2 Tandem Valve.**
- Used to apply and release service brakes on trailers.
- four port delivery.
- Weight 4 lbs.

| SERVICE# | RESERVOIR 1 & 2 | DELIVERY 1 & 2 | CONTROL | NOTES |
|----------|-----------------|----------------|---------|-------|
| WA97600 | 2-1/2" PT | 4-3/8" PT | 1/4" PT | - |



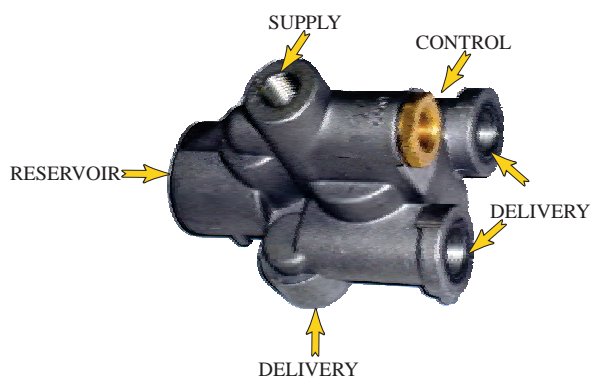
- **RT Valve.**
- Meets FMVSS-121 requirements.
- Used on trailers to control both parking and emergency brake functions.
- Controls reservoir charging.
- Applies emergency (parking) brakes upon loss of trailer supply (emergency) line pressure.
- Weight 3 lbs.

| SERVICE# | SUPPLY | RESERVOIR-1 | RESERVOIR-2 | DELIVERY | CONTROL | NOTES |
|----------|---------|-------------|-------------|-----------|---------|---------------------|
| WA88802 | 3/8" PT | 1/2" PT | 3/8" PT | 4-3/8" PT | 3/8" PT | w/Anti-Compounding |
| WA88812 | 1/4" PT | 1/2" PT | 3/8" PT | 4-3/8" PT | 3/8" PT | wo/Anti-Compounding |



- **RT-2 Valve.**
- Meets FMVSS-121 requirements.
- Used on trailers to control both parking and emergency brake functions.
- Controls reservoir charging.
- Applies emergency (parking) brakes upon loss of trailer supply (emergency) line pressure.
- Weight 3 lbs.

| SERVICE# | SUPPLY | RESERVOIR-1 | RESERVOIR-2 | DELIVERY | CONTROL | NOTES |
|----------|---------|-------------|-------------|-----------|---------|---------------------|
| WA98730 | 3/8" PT | 1/2" PT | 3/8" PT | 4-3/8" PT | 3/8" PT | w/Anti-Compounding |
| WA99370 | 3/8" PT | 1/2" PT | 3/8" PT | 4-3/8" PT | 3/8" PT | wo/Anti-Compounding |



- **TEV Valve Assembly.**
- Trailer Emergency Valve.
- Provides Spring Brakes Priority for direct control of trailer spring brake.
- The logic of the TEV Valve retains the ability of the driver repeatedly apply and release the parking/emergency brakes, even with a damaged tank.

| SERVICE# | SUPPLY | DELIVERY | CONTROL | RESERVOIR | NOTES |
|----------|---------|-----------|---------|-----------|-------|
| 51301 | 1/4" PT | 4-3/8" PT | 1/4" PT | 3/4" PT | |
| | | | | | |