



## SECTION 2 HALDEX

Si vous détectez des  **erreurs** dans ce catalogue, s'il-vous-plaît, nous en aviser

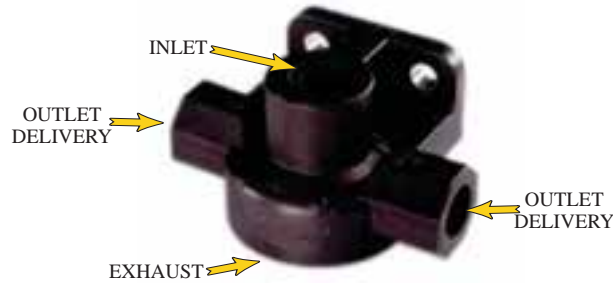
Nous désirons que les informations soient le plus précises possible.  
Nous apprécions votre aide à ce sujet.

Veuillez nous contacter par courriel pour tous  
commentaires / suggestions et/ou corrections à :  
[admin@atelierjp.ca](mailto:admin@atelierjp.ca)

# SECTION 2

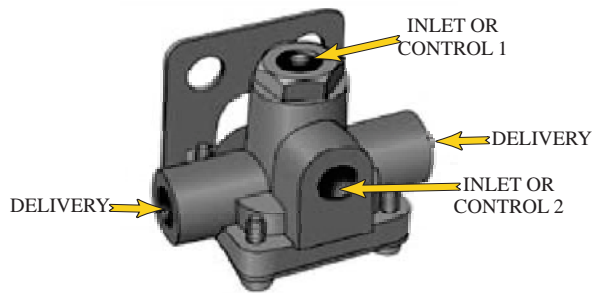
## HALDEX

Quick release valves / Soupapes d'échappement rapide.....	2-1
Check valves / Soupapes unidirectionelles.....	2-2
Pressure protection & relief valves / Soupapes de protection.....	2-3
Tractor protection valves / Soupapes de protection (camion).....	2-4
Foot operated valves / Soupapes clapet de pied.....	2-6
Relay & relay emergency valves / Soupapes de relais et relais d'urgence.....	2-7
Control valves / Soupapes de contrôle.....	2-12
Trailer valves / Soupapes de remorques.....	2-19
Inversion valves / Soupapes d'inversion.....	2-21
Drain valves / Soupapes de drainage.....	2-22



- **Quick Release Valve.**
- Used wherever a quick release function is required in the air brake system.
- Made of durable (EGC) Engineering Grade Composite.

SERVICE#	INLET	DELIVERY	CRACK PRESSURE	OEM PART NUMBER	NOTES
KN32003	1/2"	2-3/8"	3	N20959NA	
KN32005	3/8"	2-3/8"	0	N20959MB	
KN32006	3/8"	2-3/8"	3	N20959NB	
KN32008	1/2" PTC	2-1/2" PTC	0	N20959ME	
KN32011	1/2"	2-3/8"	0	N20959MA	
KN32013	1/2"	2-3/8"	0	N20959KA	
KN32014	1/2"	2-1/2" PTC	0	N20959MF	
KN32015	1/2" - 90° PTC	2-1/2" PTC	0	N20959MH	
KN32050	1/2"	2-3/8"	6	N20959NC	
KN32060	3/8"	2-3/8"	6	N20959ND	
KN32061	1/2" - 90° PTC	2-1/2" PTC	3	N20959NE	
KN32062	1/2" - 90° PTC	2-1/2" PTC	6	N20959NF	



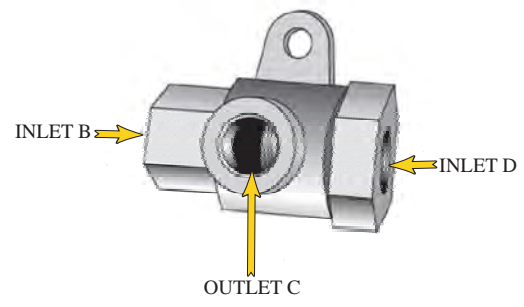
- **Quick Release Valve with Two-Way Check.**
- Used in spring brake control circuits to prevent compounding on trucks and tractors.
- Replaces two valves with one.
- 1 lb.

SERVICE#	CONTROL	DELIVERY	OEM PART NUMBER	NOTES
KN32040	2 - 1/4" PT	2 - 1/4" PT	N20952AC	
KN32041	2 - 1/4" PT	2 - 3/8" PT	N20952AD	
KN32042	2 - 1/4" PT	2 - 3/8" PT	N20952AE	
KN32043	2 - 3/8" PTC	2 - 3/8" PT	N20952BA	



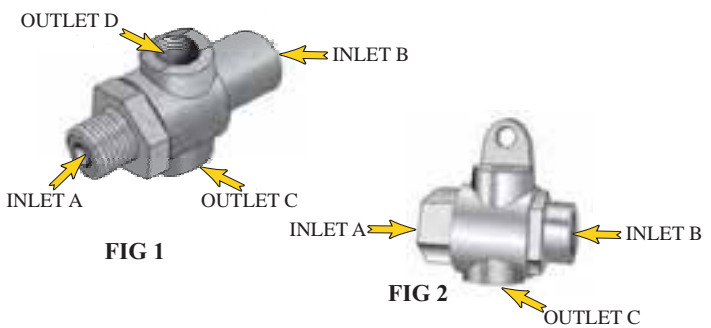
- **One-Way Check Valves.**
- Permits air flow in one direction only.
- Used wherever pressures must be isolated and not allowed to flow back.
- Use **heavy duty** models on compressor discharge.

SERVICE#	INLET/OUTLET	LENGTH	NOTES	OEM PART NUMBER	NOTES
KN23000	1/2"	2.47"	Heavy Duty	N13526AJ	
KN23010	3/8"	2.47"	Heavy Duty	N13526AG	
KN23020	1/2"	2.59"	Standard with Schrader	N13526Z	
KN23040	3/4"	2.31"	Standard	N13526J	
KN23060	1/2"	1.85"	Brass - 90° style	N13526BL	
KN23080	1/4"	1.85"	Standard - 2 female	N13526D	



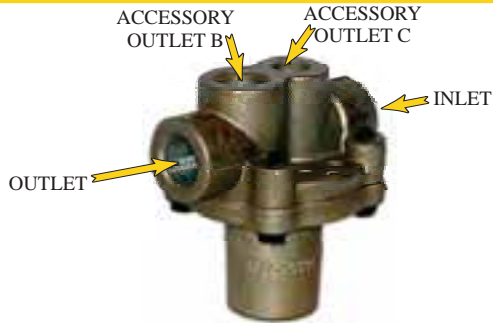
- **Two-Way Check Valve - Diaphragm Type.**
- Not position sensitive, may be mounted in any position.
- Can be used in place of ball or shuttle type.
- Use when two valves must independently control or supply one system.
- Weight 0.4 lbs.

SERVICE#	INLET B	INLET D	OUTLET C	OEM PART NUMBER	NOTES
KN25060	3/8" NPT (female)	3/8" NPT (female)	3/8" NPT (female)	N20954A	



- **Two-Way Check Valve - Shuttle Type.**
- Only mount horizontally as pictured.
- Use when two valves must independently control or supply one system.
- Weight 0.7 lbs.

SERVICE#	FIG #	INLET A	INLET B	OUTLET C	OUTLET D	OEM PART NUMBER
KN25061	2	3/8" NPT (female)	3/8" NPT (female)	3/8" NPT (female)	-	N20966BA
KN25080	1	3/8" NPT (male)	3/8" NPT (female)	3/8" NPT (female)	1/4" NPT (female)	N20966A
KN25090	1	3/8" NPT (female)	3/8" NPT (female)	3/8" NPT (female)	1/4" NPT (female)	N20966B
KN25100	1	1/2" NPT (male)	3/8" NPT (female)	3/8" NPT (female)	3/8" NPT (female)	N20966G
KN25110	1	3/8" NPT (female)	3/8" NPT (female)	3/8" NPT (female)	3/8" NPT (female)	N20966F
KN25120	1	1/4" NPT (female)	1/4" NPT (female)	1/4" NPT (female)	1/4" NPT (female)	N20966M



- **Pressure Protection Valve.**
- Used to protect the air brake system from accessory failure.
- Some models have accessory ports in addition to the 1/4" FPT inlet and outlet ports.
- Weight 1 lb.

SERVICE#	INLET PORT	OUTLET PORT	ACCESSORY PORT B	ACCESSORY PORT C	OPEN OPERATING PSI	CLOSE OPERATING PSI	OEM PART NUMBER
KN31000	1/4" NPT	1/4" NPT	1/4"	1/8"	65 +- 8	56 +- 8	N15759DC
KN31001	1/4" NPT	1/4" NPT	None	None	65 +- 8	56 +- 8	N15759DB
KN31002	1/4" NPT	1/4" NPT	1/4"	1/8"	80 +- 8	70 +- 8	N15759DA
KN31003	1/4" NPT	1/4" NPT	None	None	80 +- 8	70 +- 8	N15759DK
KN31004	1/4" NPT	1/4" NPT	1/4" NPT	1/8" NPT	95 +- 9	83 +- 9	N15759DN
KN31010	1/4" NPT	1/4" NPT	None	None	95 +- 9	83 +- 9	N15759DD
KN31011	1/4" NPT	1/4" NPT	None	None	70 +- 8	60 +- 8	



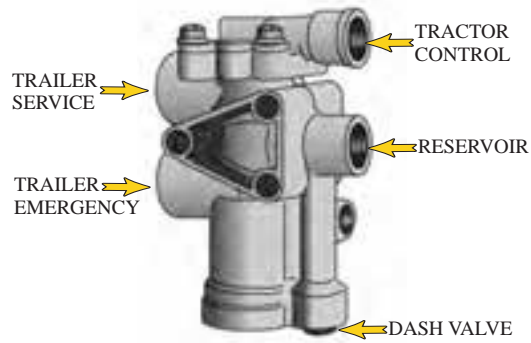
- **Pressure Protection Valve with One-Way Check.**
- Ideal for use in protecting the air brake system from accessory failure.
- Also used with non-charging emergency relay valve.
- Available in two pressure setting.
- Weight .5 lb.

SERVICE#	INLET	OUTLET	OPENING PRESSURE	OEM PART NUMBER	NOTES
KN31170	3/8" NPT (female)	1/2" NPT (male)	50 PSI	N15902A	
KN31171	3/8" NPT (female)	1/2" NPT (male)	75 PSI	N15902B	
KN31175	3/8" NPT (female)	1/2" NPT (male)	95 PSI	N15902F	



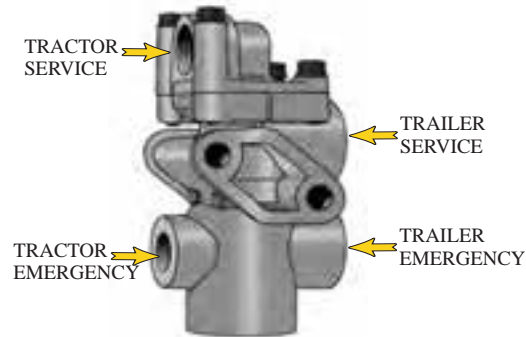
- **Pressure Relief Valve.**
- Protects from damage due to excessive pressure.
- Made of brass and stainless steel.
- Weight .5 lb.

SERVICE#	BODY STYLE	THREAD SIZE	PRESSURE REALEASE	OEM PART NUMBER	NOTES
KN31200	Short	1/4"	150 PSI	N1178AA	-
KN31250	Short	3/8"	150 PSI	N1178AB	-
KN31300	Short	1/2"	150 PSI	N1178AC	-
KN31400	Long	1/4"	150 PSI	N1178CA	-
KN31450	Long	3/8"	150 PSI	N1178CB	-
KN31526	Closed	1/4"	250 PSI	N1178DF	-
KN31527	Closed	3/8"	175 PSI	N1178EE	-
KN31528	Closed	1/4"	170 PSI	N1178EC	-



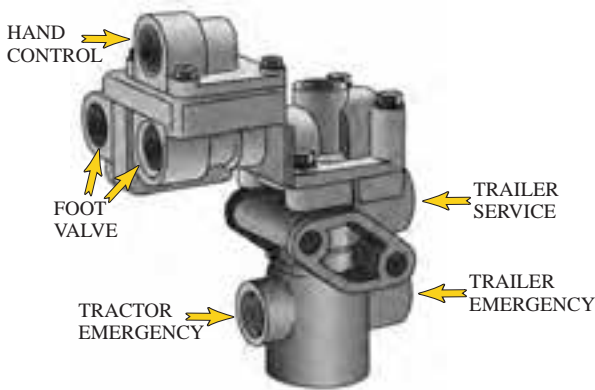
- **Tractor Protection Valve.**
- Three-line automatic style.
- Built-in quick release.
- Can replace two valves on some competitive systems.
- KN34050X -with exhaust snorkel.
- KN34070X -without exhaust snorkel.
- Weight 2 lbs.

SERVICE#	PORT LOCATIONS					
	RESERVOIR	TRACTOR CONTROL	TRAILER SERVICE	TRAILER EMERGENCY	DASH VALVE	STOPLIGHT SWITCH
KN34050	3/8" PT	3/8" PT	1/2" PT	1/2" PT	1/4" PT	-
KN34070	3/8" PT	3/8" PT	1/2" PT	1/2" PT	1/4" PT	1/8" PT



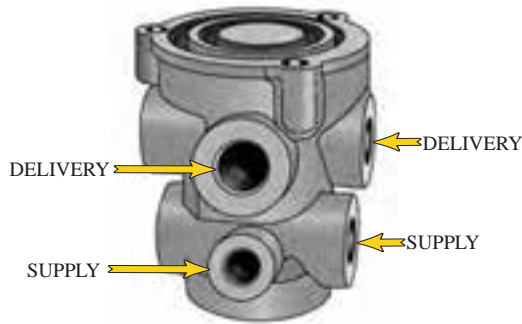
- **Tractor Protection Valve.**
- Two-line non-automatic style.
- Built-in quick release.
- **Must be used with pressure sensing dash valve.**
- Weight 2 lbs.

SERVICE#	PORT LOCATIONS				NOTES
	TRACTOR SERVICE	TRAILER SERVICE	TRAILER EMERGENCY	TRACTOR EMERGENCY	
KN34060	3/8" PT	1/2" PT	1/2" PT	1/4" PT	Two line non automatic
KN34061	3/8" PT	1/2" PT	1/2" PT	1/4" PT	Two line non automatic



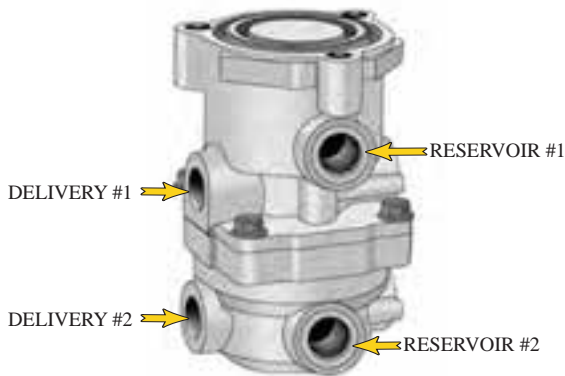
- **Tractor Protection Valve.**
- Manifold style, Two-line.
- Built-in quick release.
- Can replace up to four valves on competitive systems.
- Weight 3 lbs.

SERVICE#	PORT LOCATIONS					
	TRAILER SERVICE	TRACTOR EMERGENCY	TRAILER EMERGENCY	STOPLIGHT SWITCH	HAND CONTROL	FOOT CONTROL
KN34080	3/8" PT	3/8" PT	3/8" PT	1-1/4" PT	3/8" PT	2-3/8" PT
				1-3/8" PT-Plugged		
KN34090	1/2" PT	3/8" PT	1/2" PT	1-1/4" PT	3/8" PT	2-3/8" PT
				1-3/8" PT-Plugged		
KN34100	3/8" PT	3/8" PT	3/8" PT	1/4" PT	3/8" PT	2-3/8" PT
KN34101	1/2" PT	3/8" PTC	1/2" PT	1/4" PT	3/8" PTC	1-1/2" PTC
						1-3/8" PTC
KN34102	1/2" PT	3/8" PTC	1/2" PT	1-1/4" - 45° PTC	3/8" PTC	1-1/2" PTC
						1-3/8" PTC
KN34103	1/2" PT	3/8" PT	1/2" PT	1-1/4"/1-1/8" plugged	3/8" PT	2-3/8" PT
KN34110	1/2" PT	3/8" PT	1/2" PT	1/4" PT	3/8" PT	2-3/8" PT
KN34111	1/2" PT	3/8" PT	1/2" PT	1-1/4" PT	3/8" PT	2-3/8" PT
KN34121	1/2" PT	3/8" PTC	1/2" PT	1-1/4" PTC	3/8" PTC	1-1/2" PTC
						1-3/8" PTC
KN34122	1/2" PTC	3/8" PTC	1/2" PTC	1-1/4" PTC	3/8" PTC	1-1/2" PTC
						1-3/8" PTC
KN34123	1/2" PT	3/8" PTC	1/2" PT	1-1/4" - 45° PTC	3/8" PTC	1-1/2" PTC
						1-3/8" PTC
KN34130	1/2" PT	3/8" PT	1/2" PT	1-1/4" PT	3/8" PT	2-3/8" PT
				1-1/8" Plugged		
KN34131	1/2" PT	3/8" PT	1/2" PT	1-1/4" PT	-	2-3/8" PT



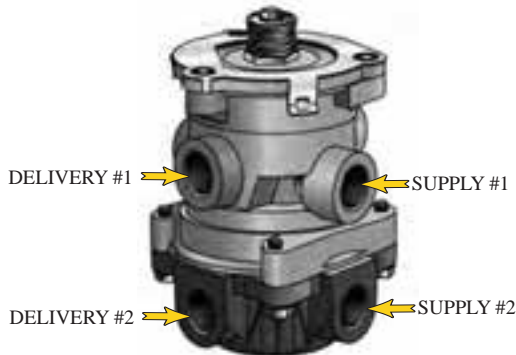
- **Single Circuit.**
- Foot operated service brake control.
- All supply and delivery ports are common.
- Weight 2 lbs.

SERVICE#	SUPPLY	DELIVERY	NOTES
KN22100	2-1/2" PT	4-1/2" PT	Studs Not Included
	2-1/4" PT		



- **Dual Circuit.**
- Two separated, individual service brake circuits in a single housing.
- Each circuit individually controls front and rear service brakes.
- Weight 3 lbs.

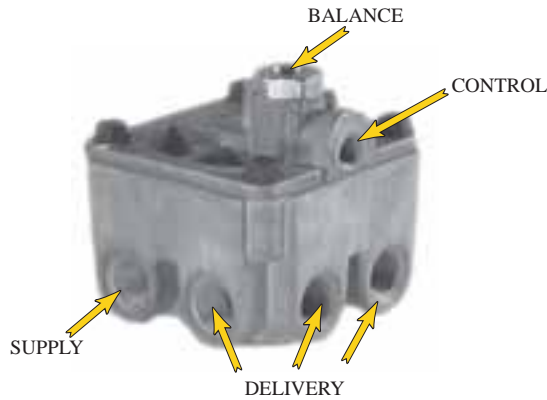
SERVICE#	SUPPLY 1 & 2	DELIVERY 1 & 2	NOTES
KN22140	4-3/8" PT	4-3/8" PT	Studs Not Included



- **Dual Circuit.**
- Two separated, individual service brake circuits in a single housing.
- Each circuit individually controls front and rear service brakes.
- Meets FMVSS-121 requirements.
- Weight 3 lbs.

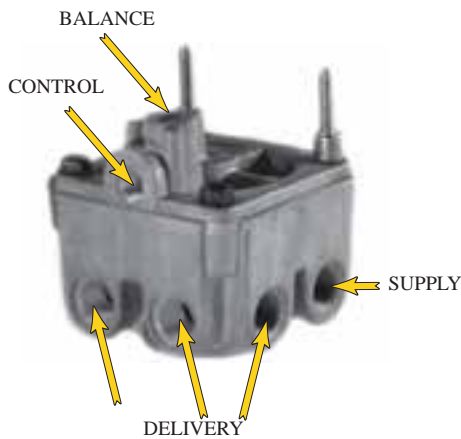
SERVICE#	SUPPLY 1 & 2	DELIVERY 1 & 2	NOTES
KN22150	4-3/8" PT	4-3/8" PT	Plastic Cover (Studs Not Included)
KN22154	4-3/8" PT	4-3/8" PT	M8 thread 7/8" Length





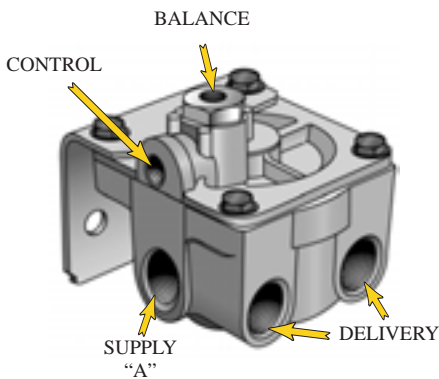
- **Relay Valve - Four Port, with Anti-Compounding.**
- Multi-application valve.
- Cover may be rotated without affecting performance.
- Weight 3 lbs.

SERVICE#	SUPPLY	DELIVERY	CONTROL	CRACK PRESSURE	BALANCE	OEM PART NUMBER	NOTES
KN28041	2-1/2" PT	4-1/2" PT	1/4" PT	4.6 PSI	1/4" PT	Various	
KN32080	2-1/2" PT	4-3/8" PT	3/8" PT	4.6 PSI	3/8" - 90° PTC	N30100NA	



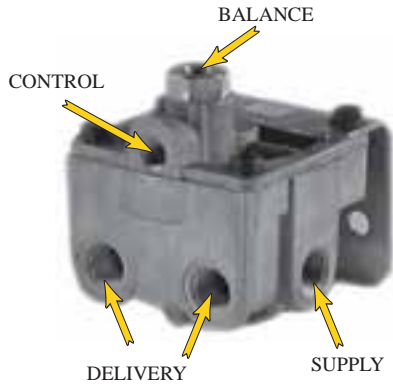
- **Relay Valve - Four Port, Single Control Line.**
- Multi-application valve.
- Cover may be rotated without affecting performance.
- Weight 3 lbs.

SERVICE#	SUPPLY	DELIVERY	CONTROL	BALANCE	CRACK PRESSURE	OEM PART NUMBER	NOTES
KN28042	2-1/2" PT	4-1/2" PT	1/4" PT	1/4" PT	4.6 PSI	Various	



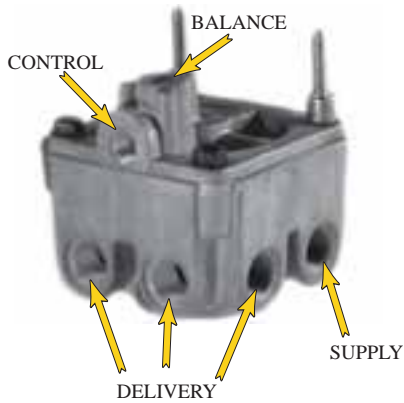
- **Relay Valves - Two Port with Anti-Compounding.**
- Used to apply and release service brakes on tractor or trailer.
- Build-in anti-compounding two-way check valve for spring brake control.
- Two port delivery.
- Weight 3 lbs.
- X Plugged

SERVICE#	SUPPLY		DELIVERY	CONTROL	BALANCE	CRACK PRESSURE	COVER	NOTES
	A	B						
KN28043	1/2" PT	1/2" PT	2-1/2" PT	1/4" PT	3/8" PT	4.6 PSI		
KN28071	1/2" PT	X	2-1/2" PT	1/4" PT	1/8" PT	4.0 PSI	As Shown	
KN28077	3/4" PTC	3/4" PTC	2-5/8" PTC	1/4" PTC	3/8" PTC	4.6 PSI	As Shown	



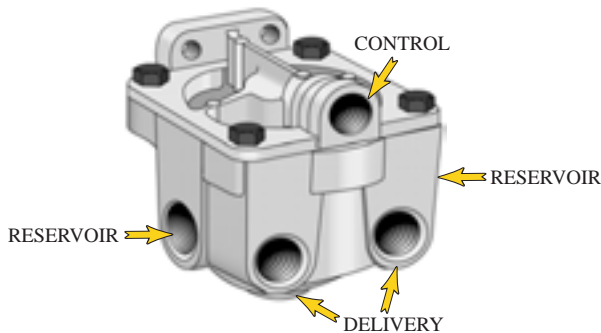
- Two Port with Anti-Compounding-Dual Crack Pressure.
- Primary biased crack pressure.
- 3 lbs.

SERVICE#	SUPPLY	DELIVERY	CONTROL	BALANCE	PRIMARY CRACK PRESSURE	SECONDARY CRACK PRESSURE	OEM PART NUMBER
KN28054	2-1/2" PT	2-1/2" PT	2-1/4" PT	1/4" PT	4.6 PSI	9.6 PSI	N30111E



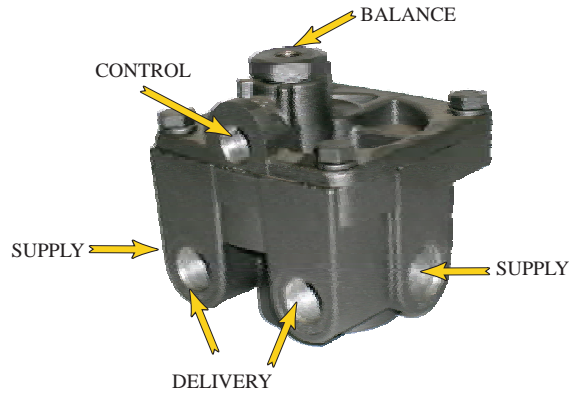
- Relay Valve - Four Port, with Anti-Compounding-Dual Crack Pressure.
- Primary biased crack pressure.
- Multi-application valve.
- Weight 3 lbs.
- Replacing with single crack pressure valve not recommended.

SERVICE#	SUPPLY	DELIVERY	CONTROL	BALANCE	CRACK PRESSURE		NOTES
					PRIMARY	SECONDARY	
KN28055	2-1/2" PT	4-1/2" PT	2-1/4" PT	1/4" PT	4.6 PSI	9.6 PSI	



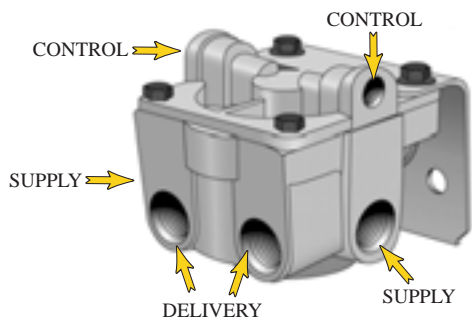
- Relay Valve.
- Used to apply and release service brakes on tractor or trailer.
- Two port delivery.
- Cover may be rotated without affecting performance.
- Weight 3 lbs

SERVICE#	RESERVOIR	DELIVERY	CONTROL	CRACK PRESSURE	NOTES
KN28060	2-1/2" PT	2-3/8" PT	3/8" PT	4.6±1.5 PSI	-
KN28061	2-1/2" PT	2-1/2" PT	3/8" PT	4.6±1.5 PSI	-
KN28132	2-1/2" PT	2-1/2" PT	3/8" PT	7.0±1.5 PSI	-



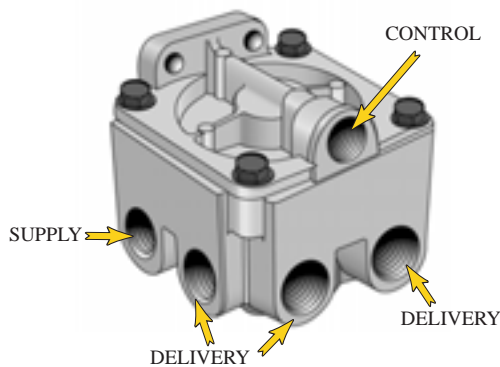
- **Relay Valve - Two Port.**
- Two Port Delivery, Single Control Line.
- Multi-Application Valve.
- Used to apply and release service brakes on tractor or trailer.
- Weight 3 lbs.

SERVICE#	SUPPLY	DELIVERY	CONTROL	CRACK PRESSURE	OEM PART NUMBER	NOTES
KN28064	2-1/2" PT	2-1/2" PT	1/4"	4.6 PSI	Various	
KN28131	2-1/2" PT	2-1/2" PT	1/4"	4.6 PSI	N30106F	
KN28140	2-1/2" PT	2-1/2" PT	1/4"	4.6 PSI	N30100AG	



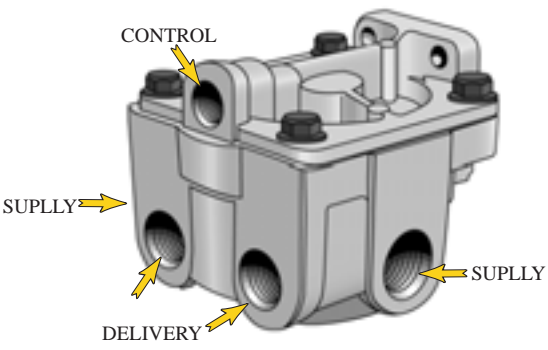
- **Relay Valve.**
- Used to apply and release service brakes on tractor or trailer.
- Two port delivery.
- Weight 3 lbs.

SERVICE#	SUPPLY	DELIVERY	CONTROL	CRACK PRESSURE	NOTES
KN28065	2-1/2" PT	2-1/2" PT	2-1/4" PT	4.0±1 PSI	-



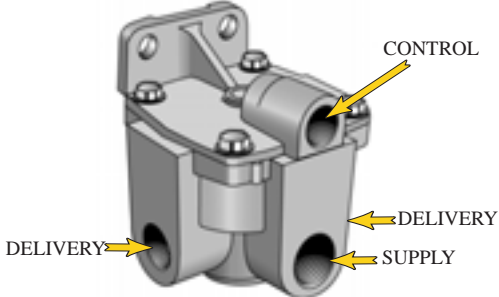
- **Relay Valve.**
- Used to apply and release service brakes on tractor or trailer.
- Four port delivery.
- Weight 3 lbs.

SERVICE#	RESERVOIR	DELIVERY	CONTROL	CRACK PRESSURE	NOTES
KN28080	2-1/2" PT	4-3/8" PT	3/8" PT	7.0±1 PSI	-
KN28085	2-1/2" PT	4-3/8" PT	3/8" PT	4.6±1.5 PSI	-



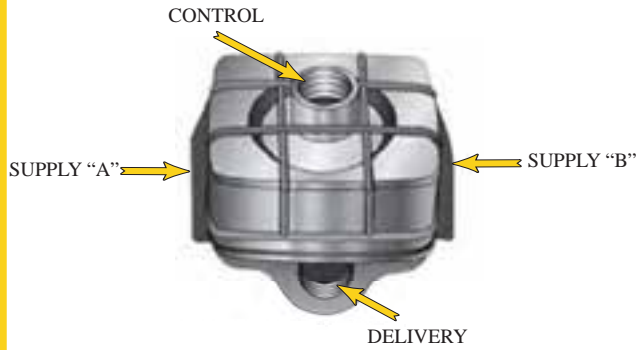
- **FAB (Fast Air & Banlancing) Relay Valve.**
- Used on converter dollies and long wheel base towing trailers to speed the tractor control signal to the rear trailer(s) service brakes.
- Two ports delivery.
- Replace Bendix R8-P or R12P.
- Weight: 3 lbs.

SERVICE#	SUPPLY	DELIVERY	CONTROL	CRACK PRESSURE	NOTES
KN28300	2-1/2" PT	2-1/2" PT	3/8" PT	0 PSI	-



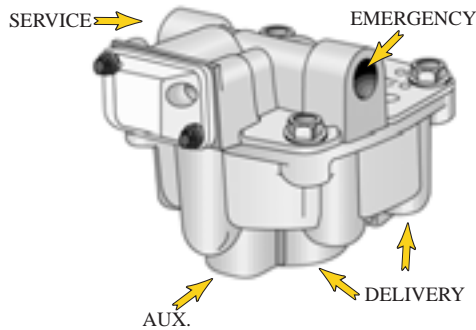
- **RG2 Relay Valve.**
- Used to apply and release service brakes on tractor or trailer.
- Two port delivery.
- Cover may be rotated without affecting performance.
- Weight 2 lbs.

SERVICE#	SUPPLY	DELIVERY	CONTROL	CRACK PRESSURE	NOTES
KN28500	2-3/8" PT	2-3/8" PT	1/4" PT	5.5 PSI	-
KN28510	1-1/2" PT	2-3/8" PT	1/4" PT	5.5 PSI	Control Position 90°
	1-3/8" PT				
KN28520	2-1/2" PT	2-1/2" PT	1/4" PT	5.5 PSI	Control Position 90°
KN28531	1-3/8" PT	2-3/8" PT	1/4" PT	5.5 PSI	Control Position 0°
	1-1/2" PT				



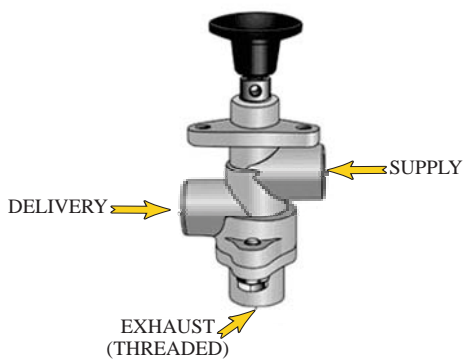
- **RG-5 Relay Valve.**
- Two port trailer valve.
- Used on 2 tank, 3 valve trailer systems and tractor applications.
- Weight 1 lb

SERVICE#	DELIVERY	SUPLY A	SUPPLY B	CONTROL	EXHAUST EXCLUDER	CRACK PRESSURE	NOTES
KN28550	2-3/8" PT	1/2" PT	PLUGGED	1/4" PT	YES	6.0 PSI	
KN28551	2-3/8" PT	PLUGGED	3/8" PT	1/4" PT	YES	6.0 PSI	



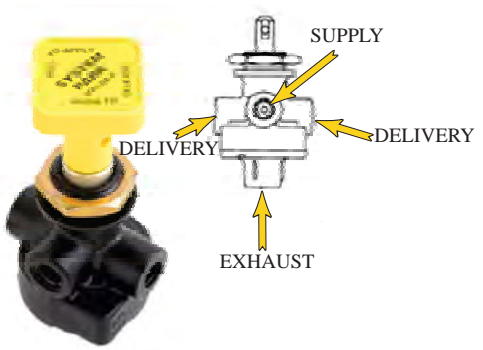
- **Relay Emergency Valve (Four port).**
- Used on converter dollies and pre-FMVSS-121 trailers.
- Four port delivery.
- KN30100 has automatic bleed down feature.
- KN30100 and KN30100X has 3/8"-18 auxiliary reservoir port on bottom of valve drilled and tapped
- For use in air hydraulic systems. Do not use them to control spring brakes.
- Weight 3 lbs.

SERVICE#	RESERVOIR	AUX. RESERVOIR	DELIVERY	SERVICE	EMERGENCY	CRACK PRESSURE	NOTES
KN30100	3/4" PT	Plugged	4-1/4" PT	1/4" PT	1/4" PT	3.0+- PSI	Has automatic bleed down feature
KN30200	Plugged	1/2" PT	4-3/8" PT	3/8" PT	3/8" PT	3.0+- PSI	
KN30300	3/4" Nipple	Plugged	4-1/4" PT	1/4" PT	1/4" PT	3.0+- PSI	
KN30400	3/4" Nipple	Plugged	4-3/8" PT	1/4" PT	1/4" PT	3.0+- 1 PSI	



- **Push Pull Hostler Valve.**
- Panel or bulkhead mount.
- Requires 3/4" hole in dashboard.
- Push Pull, Hostler Valve.
- Manually operable.
- Pressure sensitive on/off valves witch will automatically return to the button out (exhaust) position when supply pressure is below the required minimum.
- Weight .9 lbs.

SERVICE#	SUPPLY PORT	DELIVERY PORT	EXHAUST PORT	POP PRESSURE	OEM PART NUMBER
KN20010	1/4" PT	1/4" PT	1/4" PT	25/40 PSI	N14488AE
KN20011	1/4" PT	1/4" PT	1/4" PT	0 PSI	N14488R
KN20015	1/4" PT	1/4" PT	1/4" PT	25/40 PSI	N14488AC
KN20020	1/4" PT	1/4" PT	1/4" PT	25/40 PSI	N14488AK



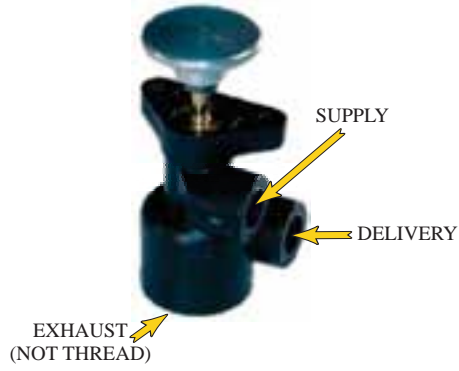
- **Push Pull Parking Brake Valve.**
- Controls parking / emergency brakes.
- Bulkhead mount, requires 7/8" mounting hole.
- Made of durable (EGC) Engineering Grade Composite.
- Replacement for the PP-1.
- Weight 0.5 lbs.

SERVICE#	ALL PORTS	POP PRESSURE	NOTES	OEM PART NUMBER
KN20021	1/8" NPT	35 +- 10 PSI	System Brake	N20960
KN20022	1/8" NPT	35 +- 10 PSI	Parking Brake	N20960A
KN20023	1/8" NPT	17.5 +- 12.5 PSI	System Brake	N20960B



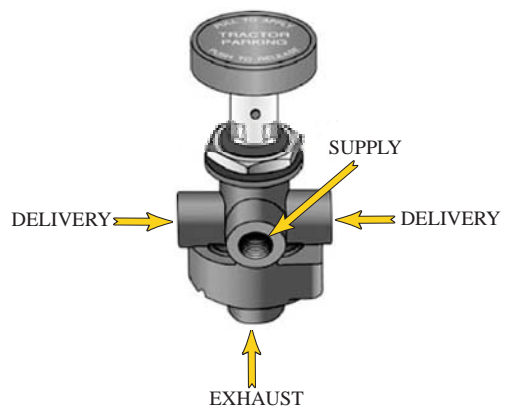
- **Push Pull Trailer Air Supply Valve.**
- Controls tractor protection.
- Bulkhead mount, requires 7/8" mounting hole
- Made of durable (EGC) Engineering Grade Composite.
- .8 lbs.

SERVICE#	SUPPLY AND CONTROL	EXHAUST AND DELIVERY	POP PRESSURE	NON-OVERRIDE PRESSURE	OEM PART NUMBER
KN20025	1/8" NPT	1/4" NPT	35 +- 10 PSI	25 +- 5 PSI	N20961



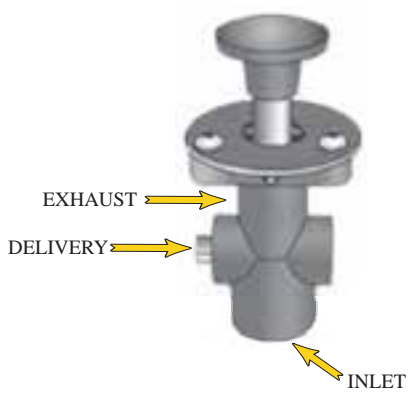
- **Push Pull Panel Mount Valve.**
- Panel mount.
- Made of durable (EGC) Engineering Grade Composite.
- Manually operable.
- Pressure sensitive, on/off valves witch will automatically return to the button out (exhaust) position when supply pressure is bellow the required minimum.
- .3 lbs.

SERVICE#	ALL PORTS	POP PRESSURE	OEM PART NUMBER	NOTES
KN20031	1/4" NPT	25-35 PSI	N20928CK	
KN20033	1/4" NPT	7-17 PSI	N20928CH	
N20928CL	1/4" NPT	25-35 PSI	N20928CL	
N20928CM	1/4" NPT	25-35 PSI	N20928CM	



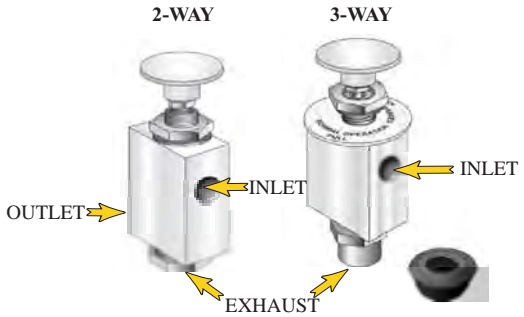
- **Push Pull Tractor Parking Valve.**
- Control **tractor only** parking.
- Bulkhead mount, requires 7/8 inch mounting hole
- Made of durable (EGC) Engineering Grade Composite.
- Replacement for the Bendix PP-8.
- Will not stay in half-on/off position.
- Weight 0.5 lbs.

SERVICE#	ALL PORTS	POP PRESSURE	OEM PART NUMBER	NOTES
KN20035	1/8" NPT	17.5 +- 12.5 PSI	N20964	



- **Push Style.**
- Hand operated push style valve for construction equipment.
- Panel mount.
- Must be manually held in "Dead Man" type.
- Made of Engineering Grade Composite (EGC).
- Not use on truck-tractor-trailer application.
- Weight .5 lbs.

SERVICE#	ALL PORTS	NOTES	OEM PART NUMBER
KN20061	1/8"	Must be manually held in-exhaust when released	N15760G



- **Push Pull Bulkhead Mount Valve.**
- Bulkhead mount.
- Two and three way types.
- Fits 5/8" dashboard holes.
- Weight .5 lbs.

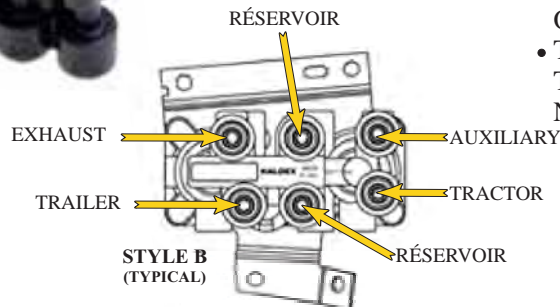
SERVICE#	ALL PORTS	TYPE	OEM PART NUMBER
A83034	1/4" PT	2-WAY	AD83034
A83580	1/4" PT	3-WAY	AD83580 with threaded exhaust ports
A87940	1/4" PT	3-WAY	AD83580 with threaded exhaust ports





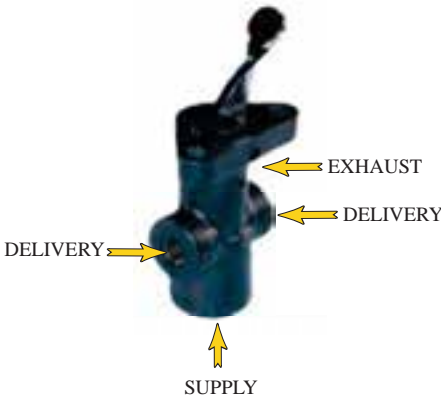
- Manifold Dash Style “A” Valve.
- Engineering Grade composite (EGC) - One piece housing.
- Completely Serviceable
- Tractor Valve 20 - 35 PSI  
Trailer Valve 20 - 45 PSI  
Non-Override 25 + - 5 PSI

SERVICE#	MOUNT. (4)	SPOOLS	TRLR DEL	RES.	EXH.	TRACTOR DEL.	AUX. SUP.	OEM PART NUMBER
KN20601	Horizontal - M6 Metric nuts on cover	2	1/4"	2 - 1/4" PT	1/4"	1/4"	1/4"	N4400EA - N4400C
KN20602	Horizontal - 1/4"-20 nuts on cover	2	1/4"	2 - 1/4" PT	1/4"	1/4"	1/4"	N4400EB - N4400E
KN20603	Horizontal - M6 Metric well nuts in body	2	1/4"	2 - 1/4" PT	1/4"	1/4"	1/4"	N4400EC - N4400G
KN20605	Vertical - M6 Metric nuts on cover	2	1/4"	2 - 1/4" PT	1/4"	1/4"	1/4"	N4400ED - N4400J
KN20606	Horizontal - 1/4"-20 nuts on cover	2	1/4"	2 - 1/4" PT	1/4"	1/4"	1/4"	N4400EE - N4400M
KN20607	Vertical - M6 Metric nuts on cover	2	3/8" PTC	2 - 3/8" PTC	3/8" PTC	3/8" PTC	3/8" PTC	N4400EF - N4400S
KN20608	Horizontal - 1/4"-20 well nuts in body	2	3/8" PTC	2 - 3/8" PTC	1/4"	3/8" PTC	1/4"	N4400EG - N4400R
KN20611	Horizontal - 1/4"-20 well nuts in body	2	1/4"	2 - 1/4" PT	1/4"	1/4"	1/4"	N4400EH - N4400B
KN20612	Horizontal - 10-24 well nuts in body	2	1/4"	2 - 1/4" PT	1/4"	1/4"	1/4"	N4400EJ - N4400A
KN20615	Horizontal - 1/4" hole in body	2	1/4"	2 - 1/4" PT	1/4"	1/4"	1/4"	N4400EK - N4400
KN20616	Vertical - 1/4"-20 well nuts in body	2	1/4"	2 - 1/4" PT	1/4"	1/4"	1/4"	N4400D
KN20632	Horizontal - M6 Metric nuts on cover	2	3/8" PTC	2 - 3/8" PTC	3/8" PTC	3/8" PTC	-	N4400FB
KN20636	Horizontal - M6 Metric nuts on cover	2	3/8" PTC	2 - 3/8" PTC	3/8" PTC	3/8" PTC	3/8" PTC	N4400FE



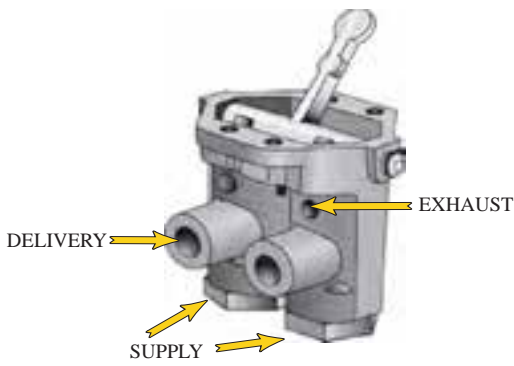
- Manifold Dash Style “B” Valve.
- Engineering Grade composite (EGC) - One piece housing.
- Completely Serviceable
- Tractor Valve 20 - 35 PSI  
Trailer Valve 20 - 45 PSI  
Non-Override 25 + - 5 PSI

SERVICE#	MOUNT. HOLES (4)	SPOOLS	TRIR DEL	RES. (2)	EXH.	TRAC. DEL.	AUX. SUP.	OEM PART NUMBER
KN20619	Vertical - 1/4" hole in cover	2	3/8" PTC	3/8" PTC	3/8" PTC	3/8" PTC	3/8" PTC	N4400EL - N4400BA
KN20620	Vertical - 1/4" hole in cover	2	3/8" PTC	3/8" PTC	3/8" PTC	3/8" PTC	3/8" PTC	N4400EM - N4400CA
KN20621	Horizontal - 1/4" hole in cover	2	3/8" 45°PTC	3/8" 45°PTC	3/8" 45°PTC	3/8" 45°PTC	-	N4400EN - N4400BB
KN20622	Vertical - 3/16" hole in cover	2	3/8" 90°PTC	3/8" 45°PTC	3/8" 90°PTC	3/8" 45°PTC	-	N4400EP - N4400BC
KN20623	Vertical - 1/4" hole in cover	1	-	3/8" PTC	3/8" PTC	3/8" PTC	-	N4400ER - N4400DA
KN20626	Horizontal - M5 metric nuts on cover	2	3/8" PTC	3/8" PTC	3/8" PTC	3/8" PTC	3/8" PTC	N4400EV - N4400BD
KN20627	Horizontal - 1/4" hole in cover	2	3/8" PTC	3/8" PTC	3/8" PTC	3/8" PTC	3/8" PTC	N4400EW - N4400BE
KN20628	Horizontal - 10-24 nuts in cover	2	3/8" PTC	3/8" PTC	3/8" PTC	3/8" PTC	3/8" PTC	N4400EY - N4400CB
KN20629	Vertical - 3/16" hole in cover	1	-	3/8" 45°PTC	3/8" 90°PTC	3/8" 45°PTC	-	N4400EZ - N4400DD



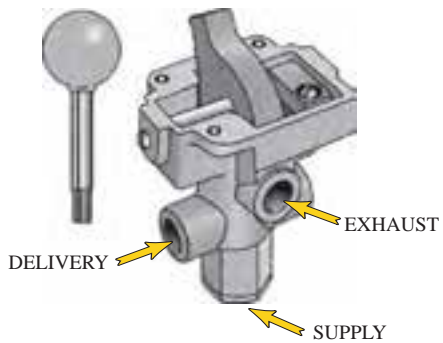
- Control Valve Flipper Style.
- Panel or remote mount.
- Made of durable (EGC) Engineering Grade Composite.
- An on-off, non automatic two position valve.
- Weight .2 lbs.

SERVICE#	MOUNTING HOLES	ALL PORTS	OEM PART NUMBER	NOTES
KN20001	#10-24 with 1.50" centers	1/8"	N13440DL	
KN20002	M5 Metric with 1.50" centers	1/8"	N13440DN	



- Double Flipper Style Valve.
- Weight 1 lbs.

SERVICE#	SUPPLY	DELIVERY	EXHAUST (HOLE)	NOTES
KN20080	2-1/4" PT	2-1/8" PT	2	3 Handle Positions Neutral, Center, Manual release from either direction
KN20090	2-1/4" PT	2-1/8" PT	2	3 Handle Positions Neutral, Center, Automatic release when Supply "A" is applied
KN20110	2-1/4" PT	2-1/8" PT	2	2 Handle Positions Manual release from both directions



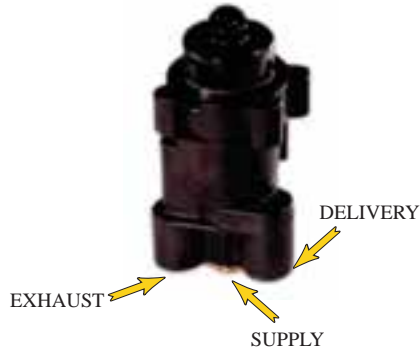
- Trailer Brake Control Valve - Panel Mount.
- Limited delivery.
- Contact Original Equipment Manufacturer for Knob Replacement
  - KN20580, use part # N15285M
  - KN20581, use part # N30105D
  - KN20590, use part # N15285M
- Weight 1 lb.

SERVICE#	ALL PORTS	MAXIMUM DELIVERY	OEM PART NUMBER	NOTES
KN20580	1/4"	80 PSI	N30105B	
KN20581	1/4"	System Pressure	N30105D	
KN20585	1/4"	75 PSI		
KN20590	1/4"	50 PSI	N30105C	



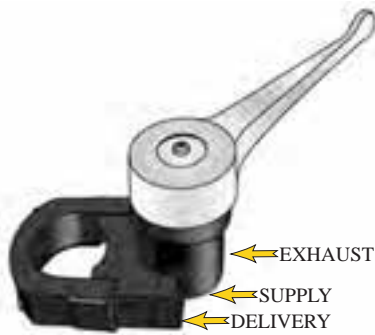
- **Flipper Style - with Locking Handle Valve.**
- Panel mount.
- Lever type valve.
- Manually operable. Capable of delivering gradations of pressure between 5 PSI and the maximum delivery pressure for the valve. They can be locked in the exhaust or brake applied position. They are used to modulate parking and emergency brakes.
- Made of durable (EGC) Engineering Grade Composite.
- Replace Williams WM 78/series.
- Weight .7 lbs.

SERVICE#	DELIVERY A	DELIVERY B	SUPPLY C	APPLICATION	OEM PART NUMBER
KN20700	1/8" PT	PLUGGED	1/8" PT	For controlling fifth wheel operation	N13440FB



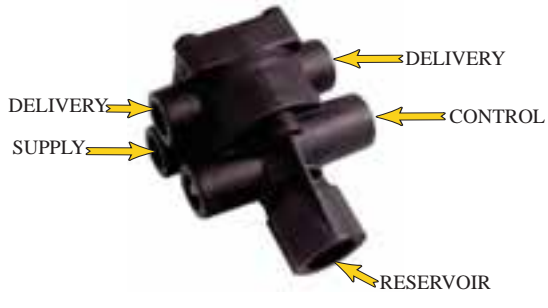
- **Trailer Brake Control - In-Column Mount.**
- Generally used on tractors and provides modulated control on trailer brakes only.
- Made of durable (EGC) Engineering Grade Composite.
- Handle applies 50° maximum.
  - 1) Handle and knob **NOT** supplied with service unit.
  - 2) Retro-fit Bracket use par number **102008GM**.
- Weight 1 lb.

SERVICE#	TYPE	SUPPLY	DELIVERY	CONTROL	HANDLE	OEM PART NUMBER
KN20541	Holding	1/4" PT	1/4" PT	1/4" PT	KN20543	N30103BB
KN20542	Self-Releasing	1/4" PT	1/4" PT	1/4" PT	KN20543	N30103BL
KN20547	Self-Releasing	3/8" PTC	3/8" PTC	1/4" PTC	KQ205450	N30103FK
KN20548	Holding	3/8" PTC	3/8" PTC	1/4" PTC	KQ205450	N30103FL



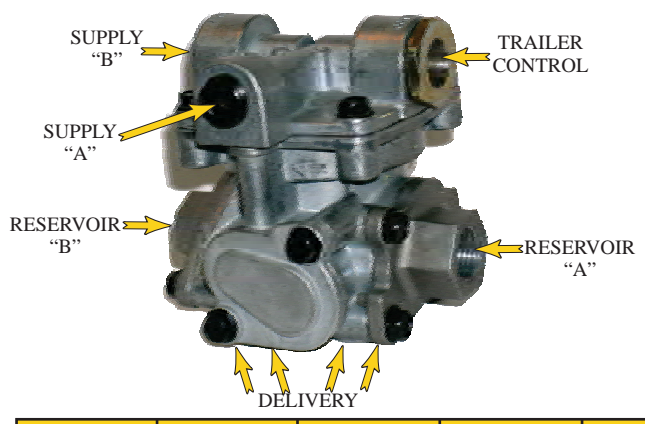
- **Hand Control Valve.**
- Steering column mount.
- Handle applies 70° maximum.
- Weight 2.8 lbs.

SERVICE#	SUPPLY	DELIVERY	EXHAUST	NOTES
KN20561	1/4" NPT	1/4" NPT	1/4" NPT	"Holding" Style
KN20562	1/4" NPT	1/4" NPT	1/4" NPT	"Self-Return" Style



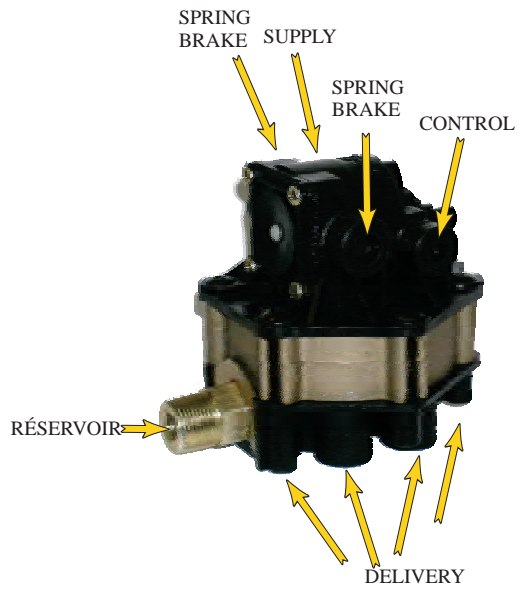
- **TBC - Trailer Brake Control Valve.**
- Internal pressure protection and check functions isolate reservoir failures to prevent automatic application of the trailer spring brakes.
- Service Brake Priority applications require the tank to be filled prior to the spring brakes being released.
- Spring Brake Priority applications do not require the tank to be filled prior to the spring brakes being released.

SERVICE#	SUPPLY PORT	CONTROL PORT	RESERVOIR PORT	DELIVERY PORT (4)	NOTES
KN26110	3/8" PT	3/8" PT	1/2" PT	4 - 3/8" PT	Service Brake Priority
KN26120	3/8" PT	3/8" PT	1/2" PT	4 - 3/8" PT	Service Brake Priority



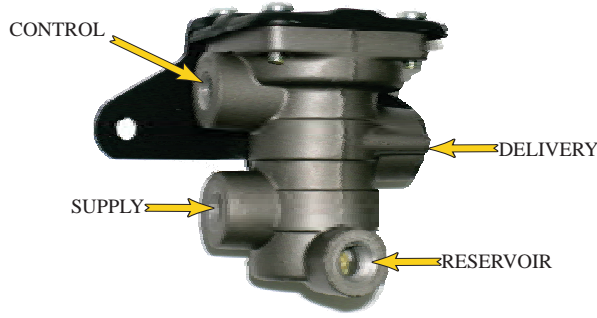
- **RT-4 Valve.**
- KN26000 meets all FMVSS-121 requirements prior to October 1992. KN26010 meets all FMVSS-121 requirements from October 1992 to current.
- Used on trailers to control both parking and emergency brake functions.
- Controls reservoir charging.
- Applies emergency (parking) brakes upon loss of trailer supply (emergency) line pressure.
- Weight 5 lbs.

SERVICE#	SUPPLY		DELIVERY	RESERVOIR		TRAILER CONTROL	PPV CLOSING PRESSURE	NOTES
	"A"	"B"		"A"	"B"			
KN26000	3/8" PT	3/8" PT	4-3/8" PT	1/2" PT	3/8" PT	3/8" PT	55 PSI	Cover as Shown
KN26010	3/8" PT	X	4-3/8" PT	1/2" PT	3/8" PT	3/8" PT	70 PSI	Cover Rotated 180°



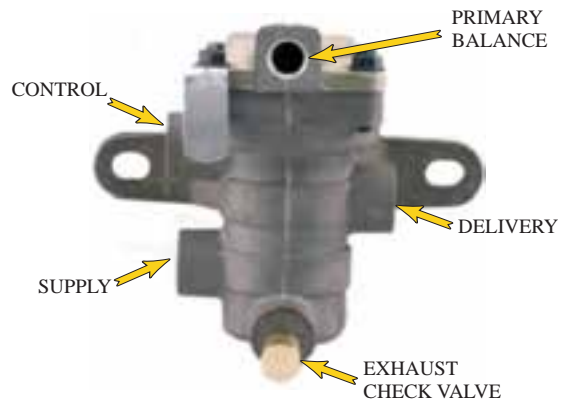
- **FF2 (Full Function Valve) - Four Port.**
- Can be used with single or twin air tanks.
- Valve combines a pressure protection valve, two one-way check valves, spring brake valve with quick release, and a four port relay valve.
- A dual fonction valve.
  - 1) Limits hold-off pressure to the sping brakes via a relay of quick release valve, generally 90-95 PSI.
  - 2) Should a loss of pressure occur it provides a modulated spring brake application proportional to the service braking pressure delivered to the front axle.
- Single valve system - easy to install, maintain and troubleshoot.
- Built-in pressure protection and anti-compounding functions:
  - FMVSS-121 compliant.
  - Eliminates broken foundation components caused by compounding of spring brake.
- Space age engineering grade composites:
  - Resists corrosion.
  - Lighter and more durable than aluminium.
- Built-in service and spring brake quick release.
  - Prompt application of spring brakes.
  - Quick release of service brakes.
- Heavy wall mounting nipple is treated to resist corrosion and withstand severe duty applications.
- Service brake priority ensures air tank pressure is sufficient to stop vehicle when spring brakes are first released.
- Does not release spring brakes until the reservoir is filled. This may take up to 90 seconds.
- Weight 3 lbs.

SERVICE#	RESERVOIR	DELIVERY	CONTROL	CRACK PRESSURE	SPRING BRAKE	SUPPLY	NOTES
KN28600	3/4" PT	4-3/8" PT	1/4" PT	3 PSI	2-3/8" PT	3/8" PT	-
KN28601	1/2" PT	4-3/8" PT	1/4" PT	3 PSI	2-3/8" PT	3/8" PT	-
KN28602	3/4" PT	4-3/8" PT	1/4" PT	5 PSI	2-3/8" PT	3/8" PT	-
KN28603	1/2" PT	4-3/8" PT	1/4" PT	5 PSI	2-3/8" PT	3/8" PT	-



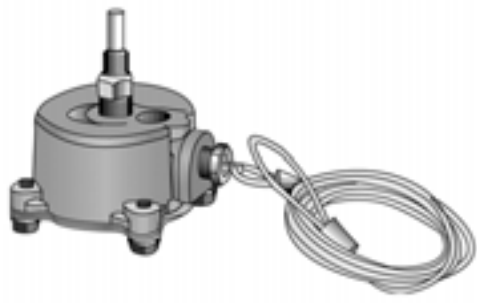
- **Inversion Valve.**
- Used with spring brake equipped trucks or tractors.
- Detects primary reservoir air system failure, allowing modulated control of spring brake.
- Interchangeable with competitive models. (With hose line relocation.)
- Weight 1.6 lbs.

SERVICE#	SUPPLY	DELIVERY	RESERVOIR	CONTROL	NOTES
KN28030	1/4" PT	1/4" PT	1/4" PT	1/4" PT	4.65" Mounting Centers
KN28034	3/8" PTC	3/8" PTC	3/8" PTC	3/8" PTC	



- **Inversion Valve - March 1998.**
- Used with spring brake equipped truck or tractors.
- Complies with FMVSS-121 regulations effective March 1998.
- Detects primary control line failure, allowing modulated control of spring brakes.
- Weight 1.8 lbs.

SERVICE#	SUPPLY	DELIVERY	PRIMARY BALANCE	CONTROL	OEM PART NUMBER
KN28032	1/4" PT	1/4" PT	1/4" PT	1/4" PT	N20950CA



- **Automatic Drain Valve.**
- Mounts to side or bottom of wet tank.
- Functions when pressure varies in air tank.
- Replacement for Bendix DV2.
- Weight 1.13 lbs.

SERVICE#	MANUAL DRAW VALVE	CABLE LENGHT	NOTES
KN24000	Yes	60"	Non-Heated
KN24001	Yes	60"	Heated
KN24003	Yes	64"	Heated