

9kW / 24 Volt
Ultimate Power...



TITAN
125

... For The Toughest Jobs

SETTING THE STANDARD...AGAIN

This 24V Gear Reduced Starter gives you extreme power for extreme conditions!

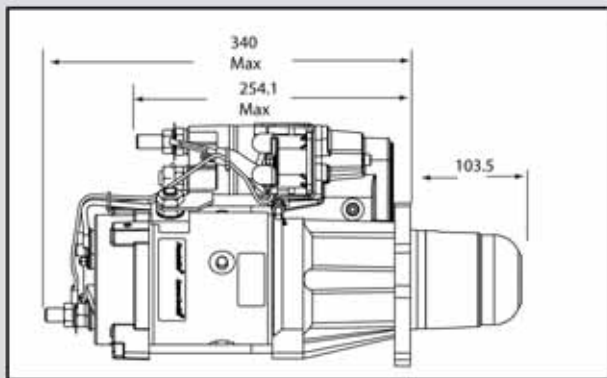
*The power and versatility of the Titan™ 125.....
Now available in 24 Volts!*

Severe Duty 50MT Replacement!

- ☀️ *In-line gear reduced design*
- ☀️ *Rotatable nose housing*
- ☀️ *Power, torque and speed*
- ☀️ *3 Year/350,000 Mile Warranty* (On Highway, 1 Year on Off-Highway. North America Only.)*
- ☀️ *Electrical soft start*
- ☀️ *Integral mag switch relay*
- ☀️ *OCP standard*
- ☀️ *Considerably smaller and lighter than competitive units*

* Application approval required.
3 Year/350,000 Mile Warranty for on-highway applications. 1 Year for off-highway applications.

Specifications



M125701					
Front View	Details	Teeth	Pinion Details		
			Pitch	OD	Pinion at rest
	24V CW Rotatable SAE3 Flange	11	6/8	2.24" 56.8mm	1.91" 48.5mm

Integral mag switch relay

Rotatable nose housing

In-line gear reduced

Applications For M125701

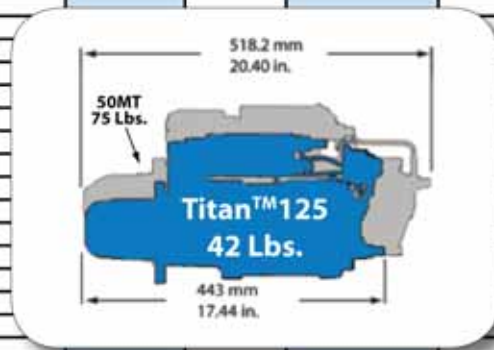
part of the Road Warrior™ Series

Application (Trucks, Off-Road, Ag, etc.)	CAT	CUMMINS	DETROIT DIESEL	JOHN DEERE	IVECO	MACK	WAUKESHA DRESSER
ALLIS CHALMERS: Crawlers - HD-16, HD-16DD, HD-16DP, HD-16P, HD-16-PS, HD-21, HD-21G, HD-41		V-1710					
AUTOCAR: Trucks-w/Cat & w/DD Engines	3406		12V-71N 12V-71				
CASE: Crawlers-120C, Excavators-120D, Compactors-825C							
CATERPILLAR: Compactors-826C, Excavators-245, Construction/Mining Trucks-768C, 769B, 769C, 769D, 771C, 772B, 772D, 773B, 773D, Scrapers-621B, 621E, 623E, 631D, 631E, 633D, 637E, 639D, 641B, 651B, 651E, 657B, 657E, 660B, Loaders (Track)-983B, D8N, Loaders (Wheel)-988, 988B, 992, 992B, 992C, DOZER-824C, 834B, MARINE-Various Models (1974-1997)	3406 3408 3412 3508 3512 3516		D343 D346				
CHEVROLET/GMC Trucks: D9K Titan, D9L Titan, DK90, DP90, FK90, MK90, N9E, N9F, Bison		KTA-450 KT	8V-92 12V-71				
CLARK: Dozer-380, 380III, 380IIIA, 380-2 III, 380C III, 480, Scrapers-310, 310 III, 310 III-H, 410, Tractor Shovels-275K, 475 III, 475B, 675, 675B, Construction Equip (Trucks) - CFA-13, CFA-14, CFA-15, CFA-19, (Tournapuls) BPA-5, BPA-7, BPA-8, BPH-5		KTA-1150 NT-310 NVH-450 V12-635 V12-635C1 V-1710 V-1710C VTA-1710C KTA-1150	8V-71 12V-71 12V-71N 16V-71N 16V-92				
DRESSER: Loaders-550, 580B							
DETROIT MFG: Crawlers-120C							
EUCLID: Scrapers-SS-40A, Tractors-36LDT, 41LDT, 44LDT, 46LDT, Trucks-201TD, 71TD, 74TD, 75TD, R35, Wagons-138W, 141W, 144W, 146W			NT-380 NHV-12 V17-525 VT-12 VT12-600 VT-1710 KT-1150	12V-71 12V-71			
FIAT-ALLIS: Crawler/Loaders - FL20, Crawler/Tractors-HD-16DD/PS, HD21, HD31, HD41, Crawlers-FD20, FD30, Excavators-FE40, Tractor/Scrapers-FS11, FS20, FS21, FS22, FS23, Loaders (Wheel) - 745, 945/B, FL20, FR20, FR35					8215 8285		
FORD Trucks: L6000/7000/8000/9000 Series, Many models prior to 1984 w/Cummins, DD, Cat engines	3406	855	8V-92 KTA-1150 8V-71 8V-92				
FREIGHTLINER: Classic, FL, FLC112/120, FLT	3306 3408	K Series	60 Series 8V-92 12V-71				
GROVE MFG: Cranes-TM1400	3408TA	KT-450	8V-92TA				
HOUGH: D-5000			VT12-635				
INGERSOLL RAND: Air Compressor-DL122							
INTERNATIONAL Construction Equip: PayDozers-D400, D500, PayHaulers-PH350B, PayLoaders-H400B, H400C			V12-525 VT12-635				
INTERNATIONAL Truck: Paystar DD, Transtar, Transtar DD			8V-92				
JOHN DEERE: Engines-8955, Excavators-900, Loaders-844, Power Units-8955				8955T/A 955			
KENWORTH: C500, C500DD, K100, K100D, L700, L700D, W900, W900DD	3406 3408	KT400/600 KT450/600 NTC-855 L10	8V-92 12V-71				
MACK: CH/CL/CM series, DM/DMM series, F/FL/FS/FDM series, MC/MH/MR series, R/RB/RD/RL/RM/RW series, U Series (all with Mack Engines), also MH Series w/Cat engine	3208					E5, EC5, DM, DMM F, FL, FS, FDM MC, MH, MR, R RB, RD, RL, RM RS, RW, U	
MURPHY DIESEL: 852, 862, 872, MP11, MP12, MP20, MP21, M22, M24							
PETERBILT: 357, 359, 362, 377, 378, 379, All Models (1980-85) w/Cat 3406, All Models (1980-89) w/Cat 3408, All Models (1977-88) w/Cummins K, All Models (1972-82) w/DD 12V-71, All Models (1979-90) w/DD 8V-92	3406 3408	K Series	8V-92				
STEIGER: Tractors-Tiger 450, Tiger 470, Tiger III, Tiger III ST450, Tiger III ST470, Tiger IV KP525	3408	KTA-1150					
VERSATILE: Tractors-1150, 1156		KTA-1150					
VOLVO: Trucks-Most Models (1983-93) w/Various Engines							
WABCO: Haulpack Trucks - 35 ton, 50 ton, 65 ton, 75 ton, 85 ton, 120 ton, 170 ton (1979-87), Haulpack Scrappers-333, 339, 353FT			KT-2300C KTA-2300 KTA-3067 VT1700 VT1710	12V-71 12V-71T 12V-149 16V-71 16V-149			
WAUKESHA/DRESSER: Engines-F/L Series (1981-89)							F-2895 F-3335D F-3521 L-5108G L-5790 L-6670D L-7042G
WESTERN STAR: Trucks-All Models (1974-88) w/Cat 3408 & Cummins K/KT, All Models (1989-92) w/DD60, Other earlier Models w/Various Engines	3408	K/KT L10	DD-60 8V-92 12V-71				
WHITE: Trucks-All Models (1974-84) w/Cat 3408 & Cummins K/KT, All Models (1974-80) w/DD 12V-71, All Models (1974-84) w/8V-92	3408	K/KT K/KT	8V-92 8V-92				

THE POWER OF EXCELLENCE

M125701 Titan™125 24V Cross Reference

Type M125	OE Reference Number										
	Delco		Case	CAT	Cummins	Detroit Diesel	Fiat Allis	International	John Deere	Ford	Onan
M125701	1990249	1109798	20-1297T91	0R4272	173184	R0461125	70620350	399440C91	RE10464	D7HT-11001-AA	191-1588
	10479339	1109839	462588C91	OR5213	3000576		70675686	462588C91		D8HZ-11002-C	191-2135
	10461739	1109840	489717C91	3L8205	3004699		70697811	489717C91		E1HT-11001-DB	
	10461057	1109841	739911C9	3T2780	3004700		73114229	729912C91		E2HT-11001-CA	
	10461125	1109842	739912C91	3T2785	3010125		73130198	739911C91		E3HZ-11002	
	10479125	1109845		3T2787	3021038		73130197	844317C91			
	10479126	1109846		3T3778	3063771		73130198				
	1109222	1109961		3T8947	3603868RX		73130627				
	1109285	1109965		3T8949	3603888RX						
	1109286	1109972		3T8954	3632274						
	1109287	1109979		3T8967	3632274RX						
	1109288	1109985		4M5615							
	1109289	1990229		4N0959							
	1109290	1990231		4N3343							
	1109291	1990235		4N3349							
	1109292	1990237		5L3648							
	1109296	1990239		5L4405							
	1109298	1990248		5L5353							
	1109494	1990249		5L648							
	1109553	1990250		5L8205							
	1109631	1990251		5LG48							
	1109638	1990259		5N2685							
	1109642	1990260		6N9667							
	1109643	1990262		6N9677							
	1109647	1990263		6T0640							
	1109649	1990264		6T0647							
	1109755	1990269		6V0511							
	1109759	1990270		6V0590							
	1109768	1990271		6V0890							
	1109771	1990273		8L8205							
	1109772	1990274		9L6464							
	1109774	1990276		9L6474							
	1109775	1993825		9L6484							
	1109776	1993840									
	1109777	1993841									
1109780	1993852										
1109791											



LEECE-NEVILLE HEAVY DUTY SYSTEMS

A DIVISION OF PRESTOLITE ELECTRIC INC.

www.prestolite.com

Manufacturing OE Sales

400 Main Street
Arcade, NY USA 14009

Phone: (585) 492-1700

Fax: (585) 492-1660

Distribution, Aftermarket Sales

7585 Empire Drive
Florence, KY USA 41042

Phone: (859) 525-8801

(800) 354-0560

Fax: (800) 997-6202